



## KR-03 - Stationary camera

### Use

Stationary camera KR-03 is part of the KS-03 camera system and its purpose is, similar to KR-02 camera, to transfer video from camcorder to a modem enclosure cabinet and then into the PC.

### Description

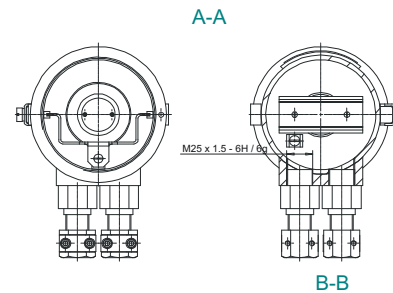
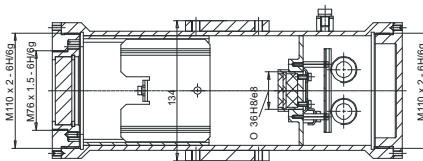
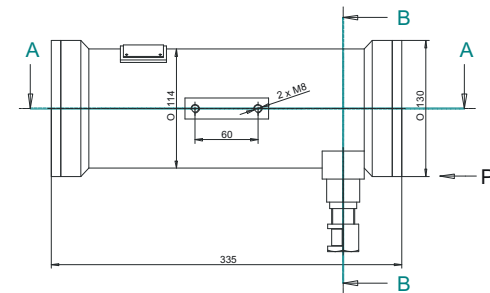
Stationary camera KR-03 can be installed with bushings type M.St.d. The enclosure cabinet of KR-03 is made as flameproof enclosure with a window. Apparatus and terminals areas are both designed in Ex d.

Into the KS-03 system, the camera can be connected in two variants. The first variant contains only one camera connected via modem directly to your computer. The second variant includes set of cameras connected via modems and switch or router to the computer with the control server, to which other computers are connected.

For connecting the KR-03 device, it is strongly recommended to use Ethernet cable UNITRONIC ETHERLINE Y2YARM Type A CAT5.

### Technical parameters of KR-03:

Design	I M2 Ex d I Mb
Nominal supply voltage	12VDC
Power consumpt.	5VA
Connect. cables cross-section	0,5 to 2,5mm <sup>2</sup>
Protection	IP54
Ambient temperature	0°C to +40°C
Dimensions incl. bushings	φ130 x 335mm
Relative humidity	95% max. without condensation
Weight of electro components	1kg
Weight total	11kg

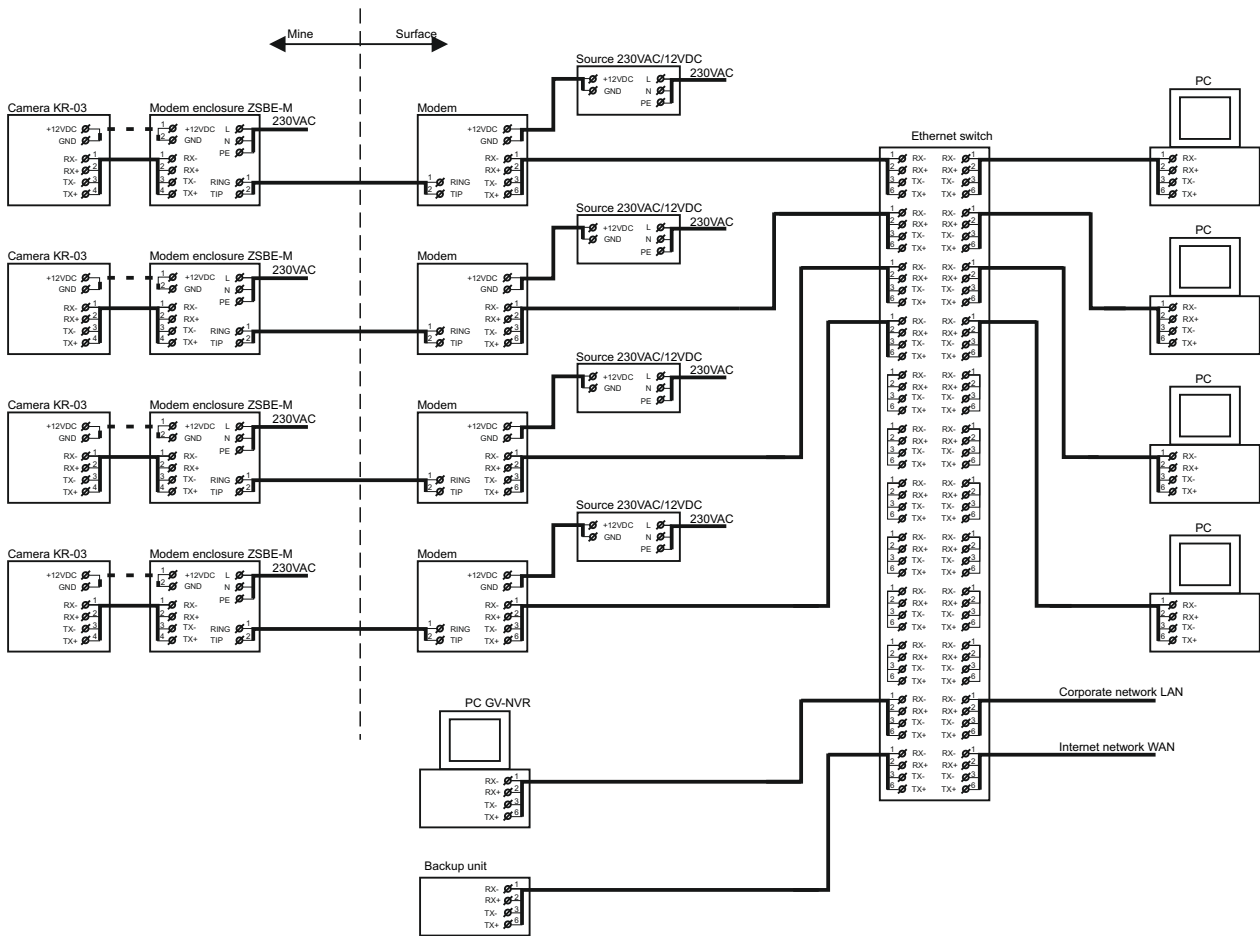


Enclosure cabinet of KR-03 with bushings S - M.St.d.

The catalogue has only those selected important parameters for your final decision. For project designs always ask for the user's guide for this product and any engineering consultation about possible uses.



## KR-03 - Stationary camera



Block diagram of KS-03 system

The catalogue has only those selected important parameters for your final decision. For project designs always ask for the user's guide for this product and any engineering consultation about possible uses.